

760 nm Narrow Linewidth Single-Frequency Fiber Laser AP-SF1

Applications:

- Quantum Simulation
- Quantum Degenerate Gas
- Gas sensing

Features:

- Spectral Linewidth < 5 kHz
- Single Longitudinal Mode
- Low Phase Noise and RIN
- Turn-key System

Optical Characteristics:

Parameter	Specification
Operation Mode	CW
Operating Wavelength	760 nm
Output Power	1-5 W
Power Tuning Range	10-100%
Power Stability (4 hours RMS)	< 1%
Spectral Linewidth	< 5 kHz
Beam Quality, M ²	< 1.1
Beam Diameter	1-2 mm
Polarization Extinction Ratio	Linear Polarization, > 20 dB
Fast Tuning Range (option)	>20 MHz/V
Fast Tuning Bandwidth	>10 kHz
Thermal Tuning Range (option)	0.1-0.3 nm
Relative Intensity Noise	< -140 dB/Hz
Output Delivery	Free Space Collimated Output

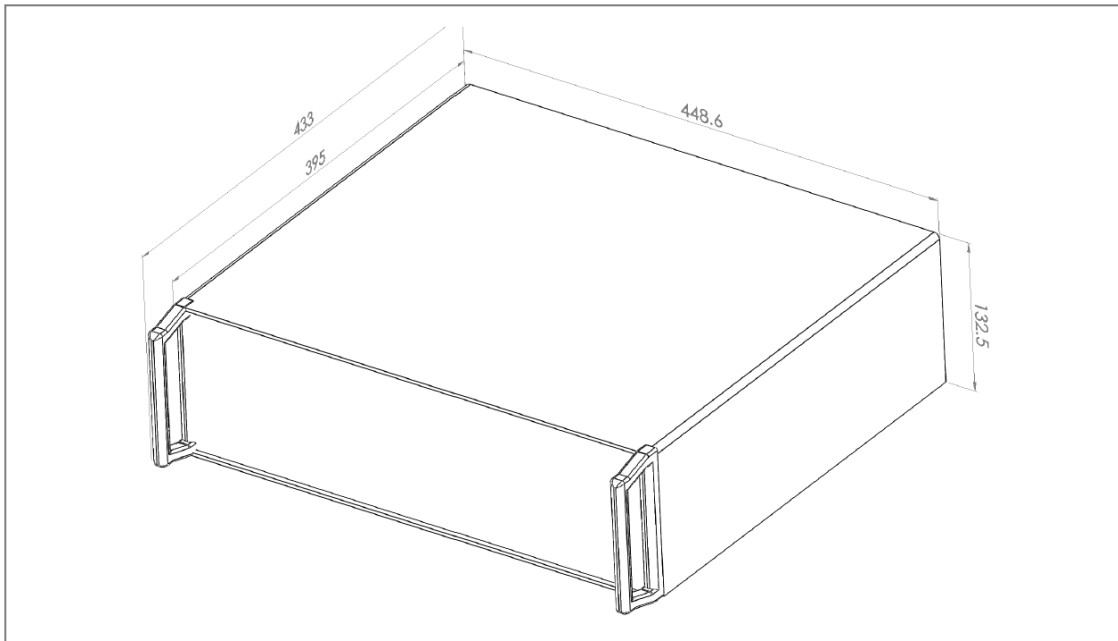
(For special requirement, please contact AdValue Photonics for options.)

Specifications subject to change without notice

General Characteristics:

Parameter	Specification
Operating temperature	20 to +35 °C
Storage temperature	-10 to +70 °C
Cooling	Water
Power requirement	AC 100~240 V (50/60Hz)
Warm-up time	10 minutes
Package dimensions	448.6(W) x 433(D) x 132.5(H) mm

Mechanical Outline:



Ordering Information:

Part Number:	AP-SF1	-	xxxx	-	xx	-	xx
			Standard Wavelength: 1950 = 1950 nm Custom Wavelength: xxxx = xxxx nm		Output Power: 01 = 1 W 05 = 5 W		Polarization: RP = random polarization LP = linear polarization



Specifications subject to change without notice